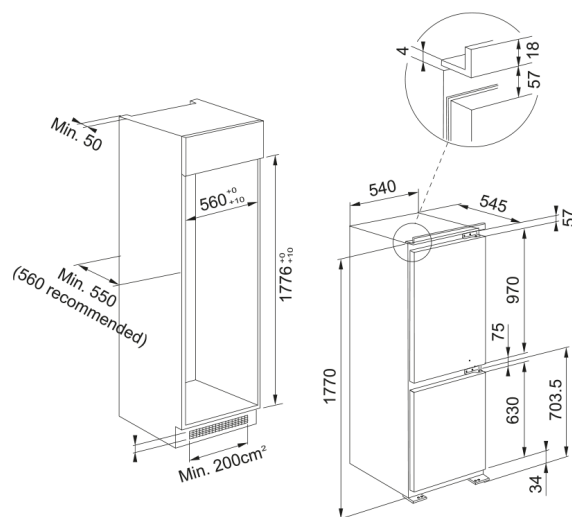


# Refrigerator FCB 320 V NE E | 118.0606.722



Refrigerator FCB 320 V NE E

## Product Information

Installation type Built-in

Color White

## Dimensions

Width: front to back 540.0

Height overall 1770.0

Depth Overall 545.0

## Energy specifications

Voltage 220-240 V

Frequency (Hz) 50

## Product specifications

Type BI Combi Bottom

Energy efficiency class E

Bottle balcony Yes

Bottle rack Yes

Cold Zone No

Dairy Compartment Yes

Door reversibility Yes

EasyFrost Technology Yes

Eggs tray Yes

Freezing capacity KG/24h 4

Number of fridge adj Balconies 3

Number of fridge shelves 3

Ice tray Yes

Light position Lateral

No frost system No

Number of freezing drawers 3

Number of Fresh Zone drawer 1

Packaging Depth	608.0
Packaging Height	1840.0
Packaging Width	580.0
Type of light	LED
Eggs tray color	Transparent
Functions	Fridge temperature setting
<b>Product identification</b>	
Product brand	FRANKE
Product family	Maris
<b>Properties</b>	
Defrost	Manual
Capacity net in litre	273
Net capacity freezer in liters	79
Net capacity fridge in liters	194
Fast cooling option	No
Fast freezing option	No
Noise level (dBA)	35
Climate Class	SN,T