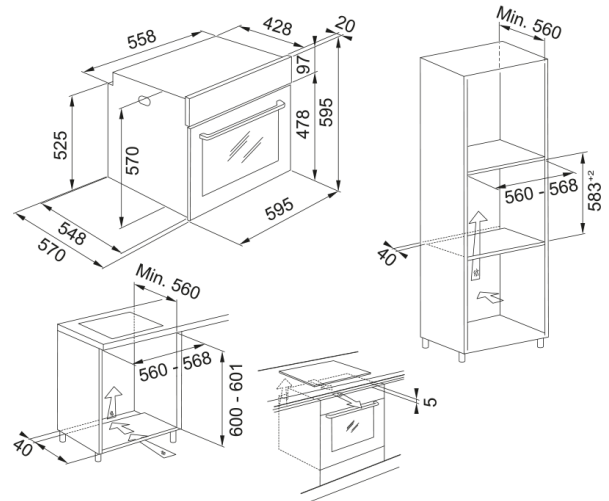


# Oven el. FMA 97 P XS | 116.0606.100



Oven el. FMA 97 P XS

## Product Information

Oven type	Electric
Type	Built-in
Color	Inox

## Dimensions

Width: front to back	595.0
Depth Overall	570.0
Height overall	595.0

## Energy specifications

Rated power	3300.0
Voltage	220-240 V
Frequency (Hz)	50-60

## Product specifications

Cleaning	Pyrolytic
Steam	No
Energy efficiency class	A+
Turnspit	No
Auto functions	Bread
Auto functions	Dessert
Color of knobs	black matt
Door frame	U-shape
Number of door glasses	3.0
Color of handle	stainless steel
Manual functions	Conventional
Manual functions	Eco Forced Air
Manual functions	Forced Air
Manual functions	Grill
Manual functions	Maxi Cooking

Oven el. FMA 97 P XS | 2026-06-06



Manual functions	Pyrolytic cleaning
Manual functions	Rising
Manual functions	Turbo Grill
Manual functions	Pizza Baking (Pizza)
Number of functions	11.0
Packaging Depth	650.0
Packaging Height	670.0
Packaging Width	640.0
Panel frame	2 stripes
Power cord length	1000.0
Type of knobs	push/pull
Number of air fry basket	N/A
Display	yes
Door glass type	float
Panel material	GLASS
Touch display	yes
<b>Product identification</b>	
Product brand	FRANKE
Product family	Maris
Model range	Maris
<b>Properties</b>	
Volume liter	71.0
Technical UI Type	Electronic
Display color	White
Number of knobs	2.0
Timer	Programmable
Type of time control	Electronic
Type of door hinges	Soft closing
Telescopic shelves	1 level partial
Cool door	yes