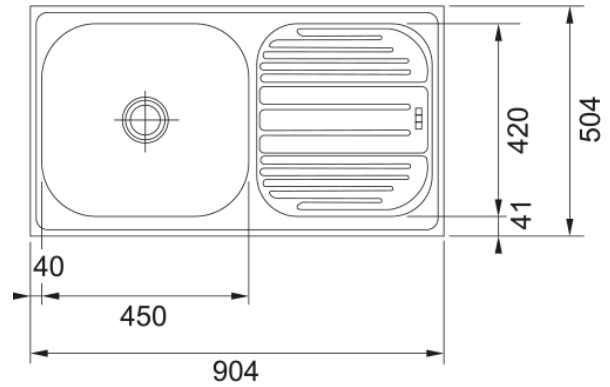


# Omni - 611-36x20 - SinglePack Satin 1mm | 101.0613.750



OMX 611-92 3 1/2" WWK REV NOF NTH 1MM

## Product Information

Sink type	Sink (w/ drainer)
Type of material	Stainless steel
Number of bowls	1
Color	Steel
Finish	Brushed

## Dimensions

External size: right to left	915.0
External size: front to back	504.0
Bowl 1 size: right to left	450.0
Bowl 1 size: front to back	420.0
Bowl 1: depth	200.0
Cutout inset: right to left	895.0
Cutout inset: front to back	484.0

## Installation

Minimum cabinet size	55 cm
----------------------	-------

## Product specifications

Installation type	Inset
Waste outlet	3 1/2"
Position of drainer	Reversible drainer
Active Twist Compatibility	No

## Product identification

Product brand	FRANKE
Product family	None
Model range	Omni

## Properties

Drainers number	1
Product reversibility	yes

Tap ledge	Yes
Waste kit included	yes
Waste kit type	manual
Siphon included	no
Number of tap holes	None
Soap dispenser hole	no