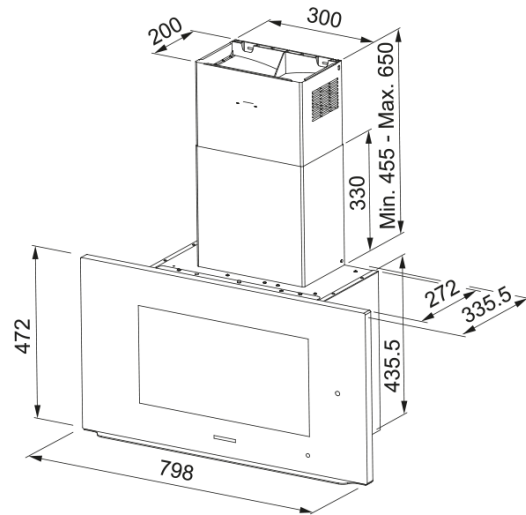
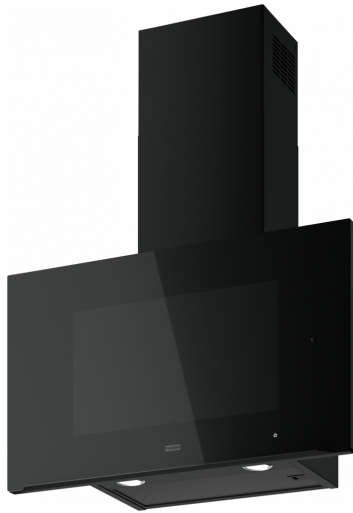


AQ Sense Vertical Monitor FKAS A80 BK | 330.0657.269



AQ SENSE VERTICAL MONITOR, FKAS A80 BK. 21" colour touch screen to enable you to watch your favourite videos and recipes via a web browser. Voice control. APP control. Remote control. Air Quality sensor. Franke Cloud. Light temperature adjusting. 24h air circulation mode. 30 min delay mode. Filter alarm mode.

Product Information

Hood category	Vertical
Finish	Black

Dimensions

Width in mm	800.0
Diam. air outlet	150

Energy specifications

Plug type	Connector
Annual energy consumption AEC	57.8
F. dynamic efficiency class	A
Light Efficiency Class	B
Grease filtering efficiency cl	C
Motor voltage	220-240V 50-60Hz
Motor Gr comm.name	SP A+
Number of motor	1

Installation

Installation	Wall
--------------	------

Product specifications

Air quality sensor	Yes
Energy efficiency class	A
Non return valve	Yes
Back Outlet	No
Zero Drip	No

Product Identification

Product brand	FRANKE
Product family	Mythos
Model range	AQ SENSE
Dimming Led	SEE SETTING FILE

Level dimmer setting	2
Lower Chimney type	Extractor
Upper chimney type	Recirculating
Blower tech.name	D39
Properties	
Number of lamp	2
Lamp type	Led S1000 TW
Remote control	No
Waterproof	No
UI type	Push button
Speed number	See setting file
Speed setting	3+i
24H	Timed
Delay	Yes 30'
Sensor self start	No
WI-FI	Yes
Filter typology	Cassette
Type of filter	Aluminium
Charcoal filter	Yes

Performance

Speed	1	2	3	BOOST
Flow (m ³ /h)	280.0	400.0	580.0	740.0
Press. Max (Pa)	450.0	510.0	550.0	560.0
Power (Watt)	150.0	200.0	240.0	250.0
Noise level (dBA)	48.0	55.0	62.0	67.0