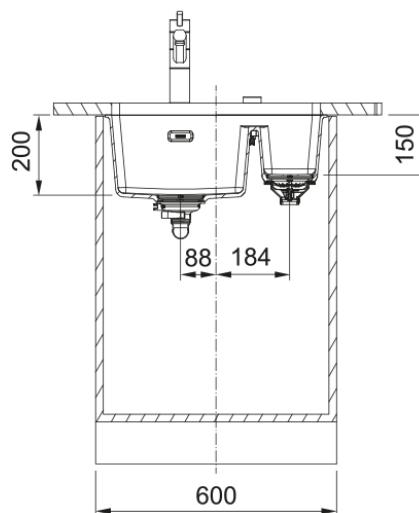
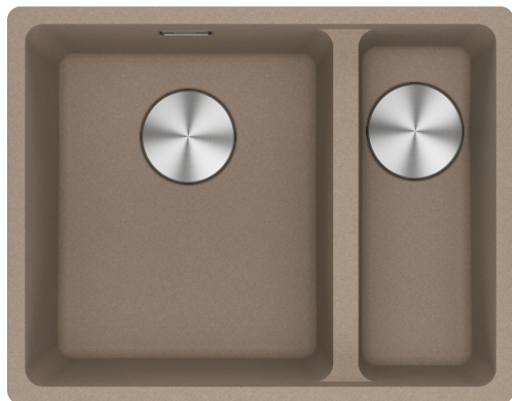


Maris MRG 160 34-15 RHSB Oyster UM | 125.0688.522



The Franke Maris MRG 160 34-15 RHSB is manufactured from an exceptionally tough material, highly resistant to burns, dents, chips and stains. Pioneered by Franke, Fraganite is a unique material with a subtle sheen that is warm to the touch thanks to its close to 80% of quartz sand. The surface is finely textured ensuring high hygiene standards. | Undermount installation. | 3½" semi-integrated waste with circular cover-plate and hygienic overflow. | 50 year guarantee on all Franke sinks. | You can be reassured that all our Fraganite sinks are approved for use with our Water Hub 100°C instant boiling water taps.

Product Information

Sink type	Bowl (no drainer)
Type of material	Granite
Number of bowls	1,5
Colour	Oyster
Finish	None

Dimensions

External size: right to left	553.0
External size: front to back	433.0
Bowl 1 size: right to left	340.0
Bowl 1 size: front to back	400.0
Bowl 1: depth	200.0
Bowl 2 size: right to left	150.0
Bowl 2 size: front to back	400.0
Bowl 2: depth	150.0

Installation

Minimum cabinet size	60 cm
----------------------	-------

Product specifications

Installation type	Undermount
Waste outlet	3 1/2"
Position of drainer	No drainer
Bowl 1: accessory ledge	no
Bowl 2: accessory ledge	No
Active Twist Compatibility	Yes
Installation Device	Clamp Bag

Product Identification

Product brand	FRANKE
Product family	Maris
Model range	Maris
Approval logo	CE
Approval logo	UKCA
Properties	
Drainers number	No drainer
Product reversibility	No
Tap ledge	No
Waste kit include	Yes
Waste kit type	Manual
Siphon included	No
Number of tap holes	No tap hole
Soap dispenser hole	No