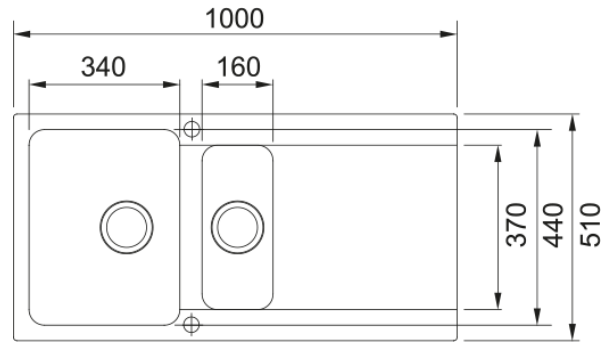


Orion OID 651 Carbon Black | 114.0381.791



ORION OID 651 Carbon Black 1000x510mm, Inset, Reversible, Tectonite, 3½" Waste with Hygienic overflow, 2 pre-formed tap holes. 50 Year Guarantee on all Franke sinks. This product is available through our Authorised Internet Partners and National Retailers - please click on the 'Where to Buy' link above. Please quote Product Name and Code as Article Number may differ.

Product Information

| | |
|------------------|-------------------|
| Sink type | Sink (w/ drainer) |
| Type of material | Tectonite |
| Number of bowls | 1,5 |
| Colour | Carbon black |
| Finish | None |

Dimensions

| | |
|------------------------------|--------|
| External size: right to left | 1000.0 |
| External size: front to back | 510.0 |
| Bowl 1 size: right to left | 340.0 |
| Bowl 1 size: front to back | 440.0 |
| Bowl 1: depth | 190.0 |
| Bowl 2 size: right to left | 160.0 |
| Bowl 2 size: front to back | 370.0 |
| Bowl 2: depth | 140.0 |
| Cutout inset: right to left | 984.0 |
| Cutout inset: front to back | 494.0 |

Installation

| | |
|----------------------|-------|
| Minimum cabinet size | 60 cm |
|----------------------|-------|

Product specifications

| | |
|---------------------|--------------------|
| Installation type | Inset |
| Waste outlet | 3 1/2" |
| Position of drainer | Reversible drainer |

Product Identification

| | |
|----------------|--------|
| Product brand | FRANKE |
| Product family | Smart |
| Model range | Orion |

| | |
|-----------------------|-------------|
| Approval logo | CE |
| Approval logo | UKCA |
| Properties | |
| Drainers number | 1 |
| Product reversibility | Yes |
| Tap ledge | Yes |
| Waste kit include | Yes |
| Waste kit type | Manual |
| Siphon included | No |
| Number of tap holes | No tap hole |
| Soap dispenser hole | No |