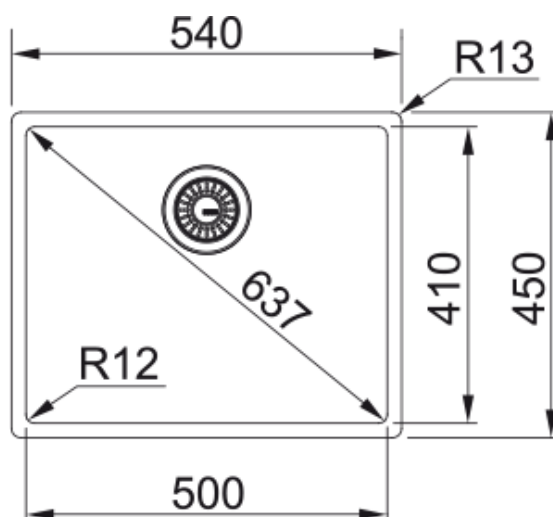


# BXX 210/110-50 3 1/2" WWK NTH OFH ET 1.0 | 127.0677.189



BXX 210/110-50 3 1/2" WWK NTH OFH ET 1.0

## Product Information

Sink type	Bowl (no drainer)
Type of material	Stainless steel
Number of bowls	1
Color	Steel
Finish	Prebrushed N4

## Dimensions

External size: right to left	540.0
External size: front to back	450.0
Bowl 1 size: right to left	500.0
Bowl 1 size: front to back	410.0
Bowl 1: depth	200.0

## Installation

Minimum cabinet size	55 cm
----------------------	-------

## Product specifications

Installation type	Flushmount
Installation type	Slimtop
Installation type	Undermount
Waste outlet	3 1/2"
Position of drainer	No drainer
Bowl 1: accessory ledge	no
Active Twist Compatibility	Yes
Installation device	Fastfix

## Product identification

Product brand	FRANKE
Product family	Maris
Model range	Box
Approval logo	CE

## Properties

Drainers number	No drainer
Product reversibility	no
Tap ledge	No
Waste kit included	yes
Waste kit type	manual
Siphon included	yes
Number of tap holes	None
Soap dispenser hole	no