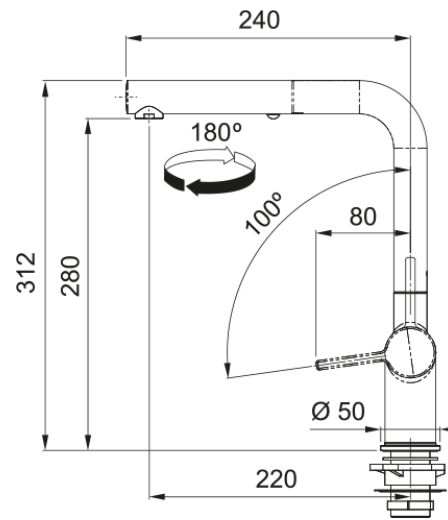


# Tap Active L pull out 2 jets CHR/ON | 115.0653.384



Tap Active L pull out 2 jets chrome/onyx

## Product Information

Spout version	L - spout
Color	Onyx
Type of material	Brass
Flexible pullout hose material	Nylon grey
Shower material	Brass

## Dimensions

Height overall	312.0
Tap hole diameter	35 mm
Cartridge dimension	35 mm

## Installation

Fixation type	Shank
Water supply hose connection	3/8"
Water supply hose length	450 mm

## Product specifications

Pressure	High pressure
Version	Spray
Tap operation	Side lever
Tap rotation	180°
Mixed water flowrate @3bars	7.5

## Product identification

Product brand	FRANKE
Product family	Maris
Model range	Active

## Properties

Eco water saving	Yes
Type of aerator	Laminar