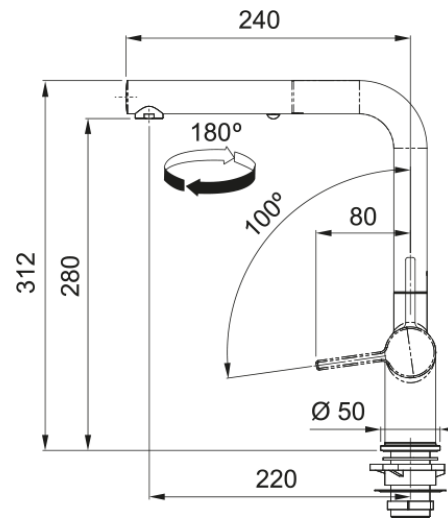


Tap Active L pull out 2 jets CHR | 115.0653.379



Active L Spout Dual Spray Pull-Out Tap Chrome finish, Overall height 312mm, Side Lever, Ceramic Mechanism. Lever only moves forward, ideal for use with upstands.

Product Information

| | |
|--------------------------------|------------|
| Spout version | L - spout |
| Color | Chrome |
| Type of material | Brass |
| Flexible pullout hose material | Nylon grey |
| Shower material | brass |

Dimensions

| | |
|---------------------|-------|
| Height overall | 312.0 |
| Tap hole diameter | 35 mm |
| Cartridge dimension | 35 mm |

Installation

| | |
|------------------------------|--------|
| Fixation type | shank |
| Water supply hose connection | 3/8" |
| Water supply hose length | 450 mm |

Product specifications

| | |
|-----------------------------|---------------|
| Pressure | High Pressure |
| Version | Spray |
| Tap operation | side lever |
| Tap rotation | 180° |
| Mixed water flowrate @3bars | 7.5 |

Product identification

| | |
|----------------|--------|
| Product brand | FRANKE |
| Product family | Maris |
| Model range | Active |

Properties

| | |
|------------------|---------|
| Eco water saving | yes |
| Type of aerator | Laminar |