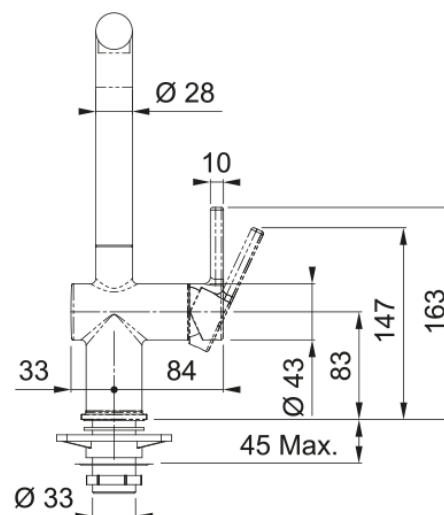


Active Plus 2.0 Swivel | 115.0653.373



Active Plus 2.0 Swivel. Overall height 312mm, 180 Degree Spout, colour matched to Fraganite range. Black. 5 Year warranty on body construction.

Product Information

Spout version	L - spout
Color	Onyx
Type of material	Brass

Dimensions

Tap hole diameter	35 mm
Cartridge dimension	35 mm
Height overall	312.0

Installation

Fixation type	shank
Water supply hose connection	3/8"
Water supply hose length	450 mm

Product specifications

Pressure	High Pressure
Version	Swivel
Tap operation	side lever
Tap rotation	180°
Mixed water flowrate @3bars	8.3

Product identification

Product brand	FRANKE
Product family	Maris
Model range	Active

Properties

Eco water saving	yes
Type of aerator	Laminar