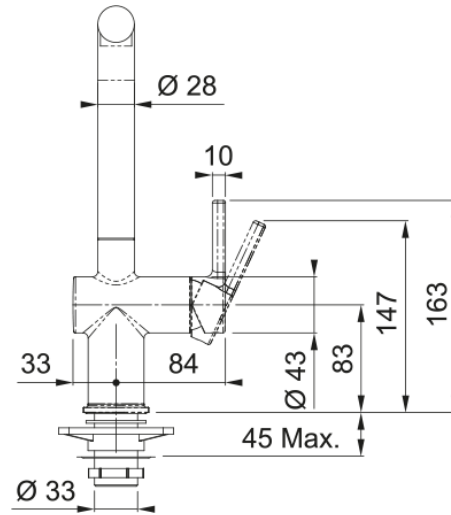


## Tap Active L swivel spout CHR | 115.0653.298



Active L Spout Tap Chrome finish, Overall height 312mm, Side Lever, Ceramic Mechanism. Lever only moves forward, ideal for use with upstands.

### Product Information

Spout version	L - spout
Color	Chrome
Type of material	Brass

### Dimensions

Height overall	312.0
Tap hole diameter	35 mm
Cartridge dimension	35 mm

### Installation

Fixation type	shank
Water supply hose connection	3/8"
Water supply hose length	450 mm

### Product specifications

Pressure	High Pressure
Version	Swivel
Tap operation	side lever
Tap rotation	180°
Mixed water flowrate @3bars	8.3

### Product identification

Product brand	FRANKE
Product family	Maris
Model range	Active

### Properties

Eco water saving	yes
Type of aerator	Laminar