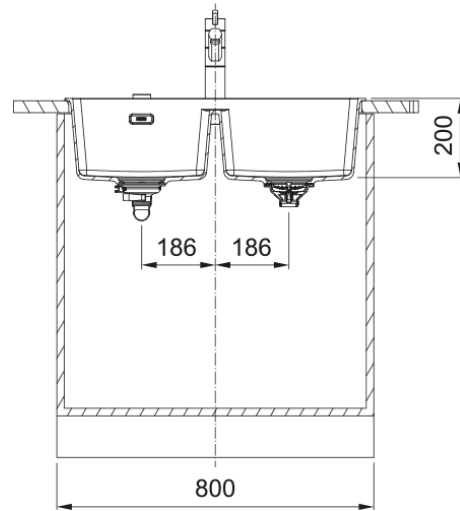


MRG 620-35-35 3 1/2" WWK ND NTH ST | 114.0674.683



MRG 620-35-35, Maris, granite, NONE, stone grey, inset, 2 bowls, without drainer, bowl 1 size right to left: 345mm, bowl 1 size front to back: 400mm, bowl 1 depth: 200mm, external size right to left: 760mm, external size front to back: 440mm, 3 1/2", with waste kit, without drainer, no tap hole, with overflow

Product Information

Sink type	Bowl (no drainer)
Type of material	Granite
Number of bowls	2
Color	Stone grey
Finish	None

Dimensions

External size: right to left	760.0
External size: front to back	440.0
Bowl 1 size: right to left	345.0
Bowl 1 size: front to back	400.0
Bowl 1: depth	200.0
Bowl 2 size: right to left	345.0
Bowl 2 size: front to back	400.0
Bowl 2: depth	200.0
Cutout inset: right to left	740.0
Cutout inset: front to back	428.0

Installation

Minimum cabinet size	80 cm
----------------------	-------

Product specifications

Installation type	Inset
Waste outlet	3 1/2"
Position of drainer	No drainer
Bowl 1: accessory ledge	no
Bowl 2: accessory ledge	No
Active Twist Compatibility	Yes
Installation device	Fastfix

Product identification

Product brand	FRANKE
Product family	Maris
Model range	Maris
Approval logo	CE
Properties	
Drainers number	No drainer
Product reversibility	no
Tap ledge	No
Waste kit included	yes
Waste kit type	manual
Siphon included	yes
Number of tap holes	None
Soap dispenser hole	no