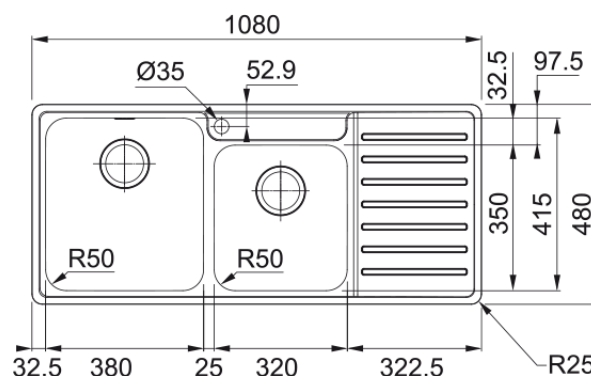


BCX 621 3 1/2" NWK RHD OFH TH EN | 101.0438.093



BCX 621 1080x480mm, right hand drainer, stainless steel brushed, 3 1/2" waste hole, no waste kit, with overflow hole and with tap hole, English label

Product Information

Sink type	Sink (w/ drainer)
Type of material	Stainless steel
Number of bowls	2
Color	Steel
Finish	Brushed

Dimensions

External size: right to left	1080.0
External size: front to back	480.0
Bowl 1 size: right to left	380.0
Bowl 1 size: front to back	415.0
Bowl 1: depth	180.0
Bowl 2 size: right to left	320.0
Bowl 2 size: front to back	350.0
Bowl 2: depth	160.0
Cutout inset: right to left	1056.0
Cutout inset: front to back	456.0

Installation

Minimum cabinet size	80 cm
----------------------	-------

Product specifications

Installation type	Inset
Waste outlet	3 1/2"
Position of drainer	Right hand side drainer

Product identification

Product brand	FRANKE
Product family	Smart
Model range	Bell
Approval logo	CE

Properties

Drainers number	1
Product reversibility	no
Tap ledge	Yes
Waste kit included	no
Waste kit type	no wastekit
Siphon included	no
Number of tap holes	1
Soap dispenser hole	no