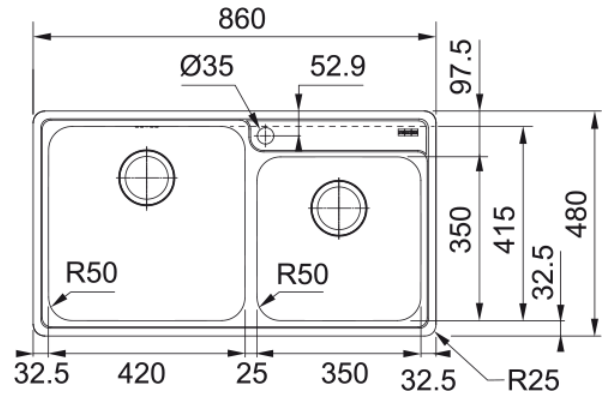


BCX 620-42-35 3 1/2" NWK OFH TH EN | 101.0438.090



BCX 620-42-35 860x480mm, stainless steel brushed, 3 1/2" waste hole, no waste kit, with overflow hole and with tap hole, English label

Product Information

Sink type	Bowl (no drainer)
Type of material	Stainless steel
Number of bowls	2
Color	Steel
Finish	Brushed

Dimensions

External size: right to left	860.0
External size: front to back	480.0
Bowl 1 size: right to left	420.0
Bowl 1 size: front to back	415.0
Bowl 1: depth	200.0
Bowl 2 size: right to left	350.0
Bowl 2 size: front to back	350.0
Bowl 2: depth	180.0
Cutout inset: right to left	836.0
Cutout inset: front to back	456.0

Installation

Minimum cabinet size	90 cm
----------------------	-------

Product specifications

Installation type	Inset
Waste outlet	3 1/2"
Position of drainer	No drainer

Product identification

Product brand	FRANKE
Product family	Smart
Model range	Bell
Approval logo	CE

Properties

Drainers number	No drainer
Product reversibility	no
Tap ledge	Yes
Waste kit included	no
Waste kit type	no wastekit
Siphon included	no
Number of tap holes	1
Soap dispenser hole	no