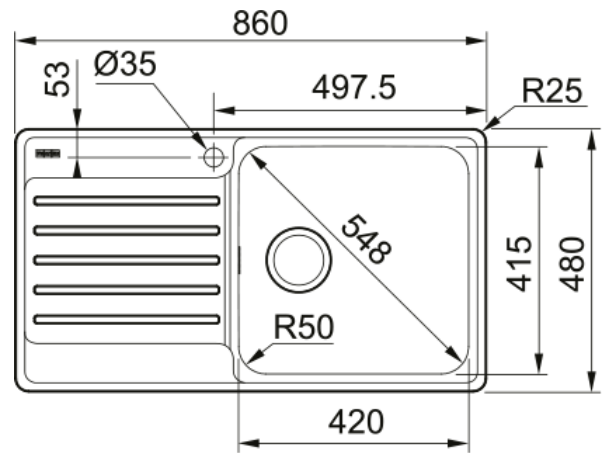


BCX 611-86 3 1/2" NWK LHD OFH TH EN | 101.0438.085



BCX 611-86 860x480mm, left hand drainer, stainless steel brushed, 3 1/2" waste hole, no waste kit, with overflow hole and with tap hole, English label

Product Information

Sink type	Sink (w/ drainer)
Type of material	Stainless steel
Number of bowls	1
Color	Steel
Finish	Brushed

Dimensions

External size: right to left	860.0
External size: front to back	480.0
Bowl 1 size: right to left	420.0
Bowl 1 size: front to back	415.0
Bowl 1: depth	200.0
Cutout inset: right to left	838.0
Cutout inset: front to back	458.0

Installation

Minimum cabinet size	60 cm
----------------------	-------

Product specifications

Installation type	Inset
Waste outlet	3 1/2"
Position of drainer	Left hand side drainer

Product identification

Product brand	FRANKE
Product family	Smart
Model range	Bell
Approval logo	CE

Properties

Drainers number	1
Product reversibility	no

Tap ledge	Yes
Waste kit included	no
Waste kit type	no wastekit
Siphon included	no
Number of tap holes	1
Soap dispenser hole	no