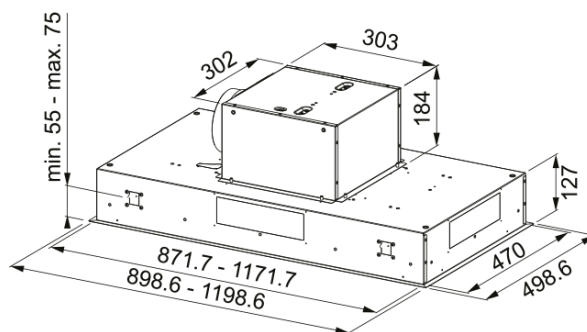


Maris Ceiling B-In FCBI 926 XS St.Steel | 350.0590.184



Maris Ceiling Built-In FCBI 926 XS Stainless Steel, Ceiling Hood, 90cm wide. This hood's motor can be turned in 4 different directions to suit your installation requirements. 4 x dimmable LED lights, 3 extraction speeds plus intensive, Remote control included, Easy installation. NB Separate Charcoal Filter required if fitting hood in recirculatory mode.

Product Information

Hood category	Ceiling
Finish	Stainless steel

Dimensions

Width in mm	900.0
Diam. air outlet	150

Energy specifications

Plug type	No plug
Annual energy consumption AEC	58.4
F. dynamic efficiency class	A
Light Efficiency Class	A
Grease filtering efficiency cl	E
Motor voltage	220-240V 50-60Hz
Motor Gr comm.name	SP A+
Number of motor	1

Installation

Installation	Island
--------------	--------

Product specifications

Air quality sensor	No
Energy efficiency class	A
Non return valve	No
Back Outlet	No
Zero Drip	No
UI Type	Push button
Lamp Type	Square LED spotlight

Product Identification

Product brand	FRANKE
---------------	--------

Product family	Maris
Model range	MARIS
Blower tech.name	D39
Properties	
Number of lamp	4
Lamp type	Led S2000 4000K
Remote control	Yes
Waterproof	No
UI type	Push button
Speed number	See setting file
Speed setting	3+i
24H	Timed
Delay	Yes 30'
Sensor self start	No
WI-FI	No
Filter typology	Cassette
Type of filter	Aluminium
Charcoal filter	No

Performance

Speed	1	2	3	BOOST
Flow (m ³ /h)	290.0	430.0	610.0	770.0
Press. Max (Pa)	460.0	550.0	590.0	600.0
Power (Watt)	150.0	200.0	240.0	250.0
Noise level (dBA)	48.0	56.0	63.0	68.0