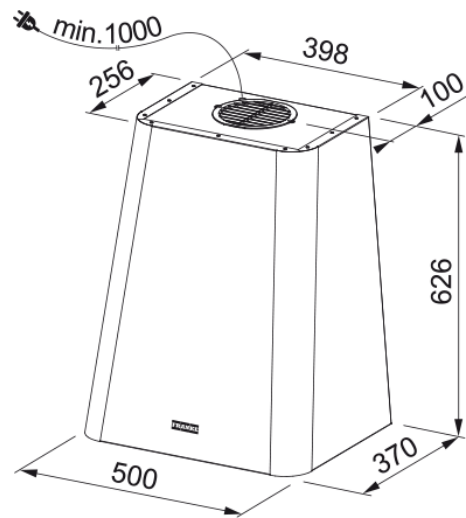


Smart Deco Green FSMD 508 GN UK | 335.0589.427



Smart Deco Green FSMD 508 GN UK Green, Wall Hood, 50cm wide. On-trend hood for a splash of colour. Push button rotary control, 3 speeds, LED bar. NB Optional Chimney Kit available. Includes Charcoal Filter if fitting hood in recirculatory mode.

Product Information

Hood category	Special shape
Finish	Dusty green

Dimensions

Width in mm	500.0
Diam. air outlet	150

Energy specifications

Plug type	GB
Annual energy consumption AEC	48.2
F. dynamic efficiency class	A
Light Efficiency Class	A
Grease filtering efficiency cl	D
Motor voltage	220-240V 50-60Hz
Motor Gr comm.name	SP 600 A+
Number of motor	1

Installation

Installation	Wall
--------------	------

Product specifications

Air quality sensor	No
Energy efficiency class	A

Product Identification

Product brand	FRANKE
Product family	Smart
Model range	SMART DECO

Properties

Number of lamp	1
Lamp type	Led Bar Slim 3000K
Remote control	No

Waterproof	No
UI type	PCB
Speed number	3
Speed setting	No
24H	No
Delay	No
Sensor self start	No
WI-FI	No
Filter typology	Cassette
Type of filter	Aluminium
Charcoal filter	Yes

Performance

Speed	1	2	3
Flow (m ³ /h)	270.0	370.0	630.0
Press. Max (Pa)	410.0	490.0	560.0
Power (Watt)	150.0	200.0	250.0
Noise level (dBA)	47.0	54.0	65.0