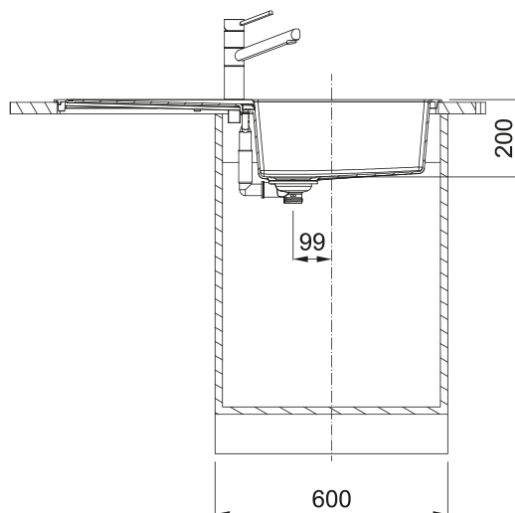


## Sirius S2D 611-100 Carbon Black | 143.0625.677



Sirius S2D 611-100 Carbon Black, 1000x500mm, Inset, Tectonite, Reversible, 1 bowl, 3 1/2" pop-up strainer waste mechanism. 50 Year Guarantee on all Franke sinks. This product is available through our Authorised Internet Partners and National Retailers - please click on the 'Find a Franke Retailer' below. Please quote Product Name and Code as Article Number may differ.

### Product Information

Sink type	Sink (w/ drainer)
Type of material	Tectonite
Number of bowls	1
Colour	Carbon black
Finish	None

### Dimensions

External size: right to left	1000.0
External size: front to back	500.0
Bowl 1 size: right to left	450.0
Bowl 1 size: front to back	432.0
Bowl 1: depth	200.0
Cutout inset: right to left	984.0
Cutout inset: front to back	484.0

### Installation

Minimum cabinet size	60 cm
----------------------	-------

### Product specifications

Installation type	Inset
Waste outlet	3 1/2"
Position of drainer	Reversible drainer

### Product Identification

Product brand	FRANKE
Product family	Smart
Model range	Sirius 2
Approval logo	CE
Approval logo	UKCA

### Properties

Drainers number	1
Product reversibility	Yes
Tap ledge	Yes
Waste kit include	Yes
Waste kit type	Automatic-twist knob
Siphon included	No
Number of tap holes	2
Soap dispenser hole	No