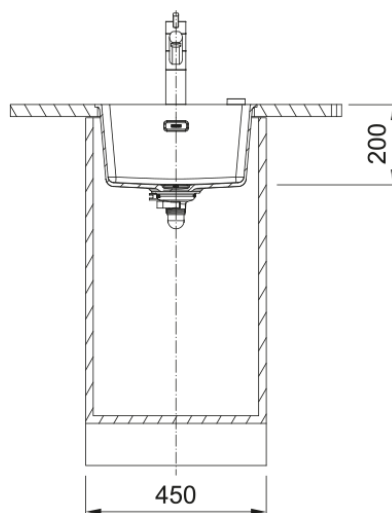


MRG 210/110-37 3 1/2" WWK WOF PW | 135.0666.808



MARIS MRG 110 37 Polar White 410x440mm, Undermount, Fraganite, 31" Waste with Cover & Hygienic Overflow. 50 Year Guarantee on all Franke sinks.

Product Information

Sink type	Bowl (no drainer)
Type of material	Granite
Number of bowls	1
Colour	Polar white
Finish	None

Dimensions

External size: right to left	403.0
External size: front to back	433.0
Bowl 1 size: right to left	370.0
Bowl 1 size: front to back	400.0
Bowl 1: depth	200.0

Installation

Minimum cabinet size	45 cm
----------------------	-------

Product specifications

Installation type	Flushmount
Installation type	Undermount
Waste outlet	3 1/2"
Position of drainer	No drainer
Bowl 1: accessory ledge	no

Product Identification

Product brand	FRANKE
Product family	Maris
Model range	Maris
Approval logo	CE
Approval logo	UKCA

Properties

Drainers number	No drainer
-----------------	------------

Product reversibility	No
Tap ledge	No
Waste kit include	Yes
Waste kit type	Manual
Siphon included	No
Number of tap holes	No tap hole
Soap dispenser hole	No