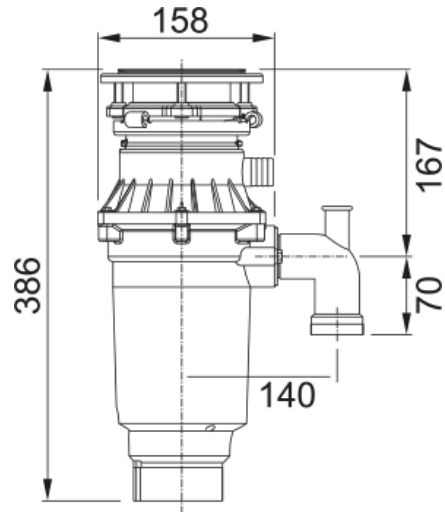


## Turbo Elite Slimline TE-75S WDU | 134.0483.704



Turbo Elite Slimline TE-75S ¾ HP, Continuous Feed, High Torque Dual Magnetic Motor, Motor Speed 2700 RPM, includes antibacterial protection for odour control, Integral Air Switch with Chrome Button (SilkSteel Button available separately as a spare if required). If fitting a WDU to a ceramic sink, an Extended Flange is required. 10 Year Guarantee on all Franke WDUs.

### Product Information

Product type Food waste disposer

### Energy specifications

Voltage 220-240 V

### Product Identification

Product brand FRANKE

Product family Maris

Model range Disposer

### Properties

Horse power waste disposer ¾ HP

Motor speed 2700.0

Waste disposer motor type Permanent magnet

Feed type Continuous