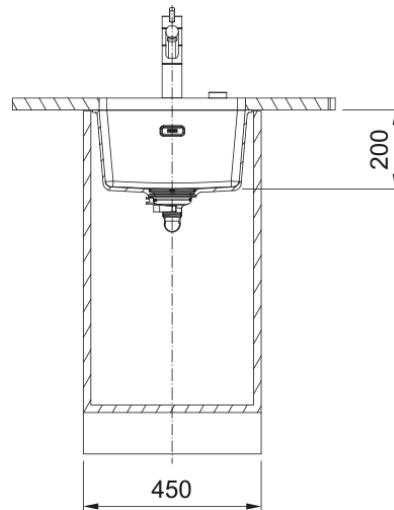


## Maris MRG 110-37 Oyster | 125.0688.502



Maris MRG 110-37, Oyster, Fraganite with Sanitized®, Undermount, 1 bowl without drainer, 370mm x 400mm, 3½" Waste with Cover & Hygienic Overflow. 50 Year Guarantee on all Franke sinks.

### Product Information

|                  |                   |
|------------------|-------------------|
| Sink type        | Bowl (no drainer) |
| Type of material | Granite           |
| Number of bowls  | 1                 |
| Color            | Oyster            |
| Finish           | None              |

### Dimensions

|                              |       |
|------------------------------|-------|
| External size: right to left | 403.0 |
| External size: front to back | 433.0 |
| Bowl 1 size: right to left   | 370.0 |
| Bowl 1 size: front to back   | 400.0 |
| Bowl 1: depth                | 200.0 |

### Installation

|                      |       |
|----------------------|-------|
| Minimum cabinet size | 45 cm |
|----------------------|-------|

### Product specifications

|                     |            |
|---------------------|------------|
| Installation type   | Undermount |
| Waste outlet        | 3 1/2"     |
| Position of drainer | No drainer |

### Product Identification

|                |        |
|----------------|--------|
| Product brand  | FRANKE |
| Product family | Maris  |
| Model range    | Maris  |
| Approval logo  | CE     |
| Approval logo  | UKCA   |

### Properties

|                       |            |
|-----------------------|------------|
| Drainers number       | No drainer |
| Product reversibility | No         |
| Tap ledge             | No         |

|                     |             |
|---------------------|-------------|
| Waste kit include   | Yes         |
| Waste kit type      | Manual      |
| Siphon included     | No          |
| Number of tap holes | No tap hole |
| Soap dispenser hole | No          |