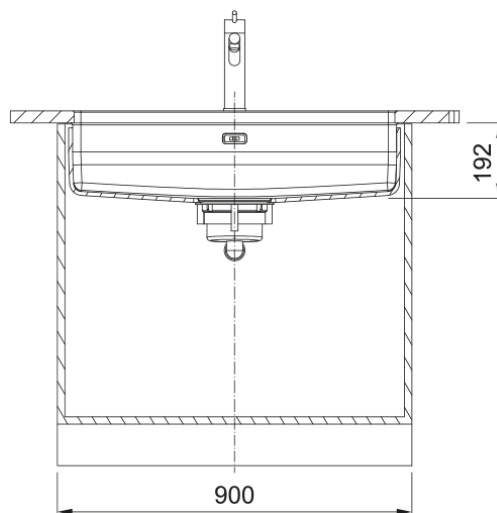


Maris Quiet MQX 110-82 | 122.0694.480



MARIS QUIET MQX 110-82, brushed stainless steel, undermount, 1 bowl without drainer, 820mm x 424mm, 7" waste with hidden overflow including lid and connection pipe. Plastic waste cover not resistant to boiling water. Sink waste not compatible with a WDU. 50 year guarantee on all Franke sinks.

Product Information

Sink type	Bowl (no drainer)
Type of material	Stainless steel
Number of bowls	1
Colour	Steel
Finish	Stainless steel brushed

Dimensions

External size: right to left	860.0
External size: front to back	464.0
Bowl 1 size: right to left	820.0
Bowl 1 size: front to back	424.0
Bowl 1: depth	192.0

Installation

Minimum cabinet size	90 cm
----------------------	-------

Product specifications

Installation type	Undermount
Waste outlet	7"
Position of drainer	No drainer
Bowl 1: accessory ledge	no
Active Twist Compatibility	No
Installation Device	Clamp Bag

Product Identification

Product brand	FRANKE
Product family	Maris
Model range	Maris Quiet
Approval logo	CE
Approval logo	UKCA

Properties

Drainers number	No drainer
Product reversibility	No
Tap ledge	No
Waste kit include	Yes
Waste kit type	Manual
Siphon included	Yes
Number of tap holes	No tap hole
Soap dispenser hole	No