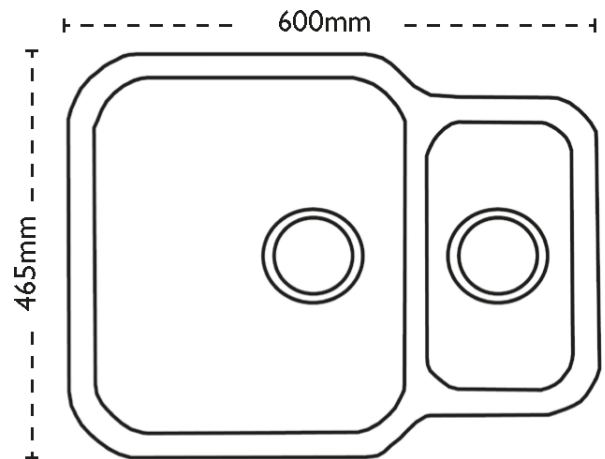


ZETA 150U REV | 122.0167.720



ZETA 150U REV, 600x465mm, undermount, reversible, with waste kit, basket strainer waste, with overflow. Lifetime Guarantee on all Carron Phoenix sinks.

Product Information

Sink type	Bowl (no drainer)
Type of material	Stainless steel
Number of bowls	1,5
Colour	Steel
Finish	Stainless steel brushed

Dimensions

External size: right to left	600.0
External size: front to back	465.0
Bowl 1 size: right to left	360.0
Bowl 1 size: front to back	420.0
Bowl 1: depth	180.0
Bowl 2 size: right to left	170.0
Bowl 2 size: front to back	320.0
Bowl 2: depth	130.0

Installation

Minimum cabinet size	60 cm
----------------------	-------

Product specifications

Installation type	Undermount
Waste outlet	3 1/2"
Position of drainer	No drainer
Bowl 1: accessory ledge	no
Bowl 2: accessory ledge	No
Active Twist Compatibility	No

Product Identification

Product brand	CARRON PHOENIX
Product family	None
Model range	Zeta

Approval logo	CE
Approval logo	UKCA
Properties	
Drainers number	No drainer
Product reversibility	Yes
Tap ledge	No
Waste kit include	Yes
Waste kit type	Manual
Siphon included	No
Number of tap holes	No tap hole
Soap dispenser hole	No