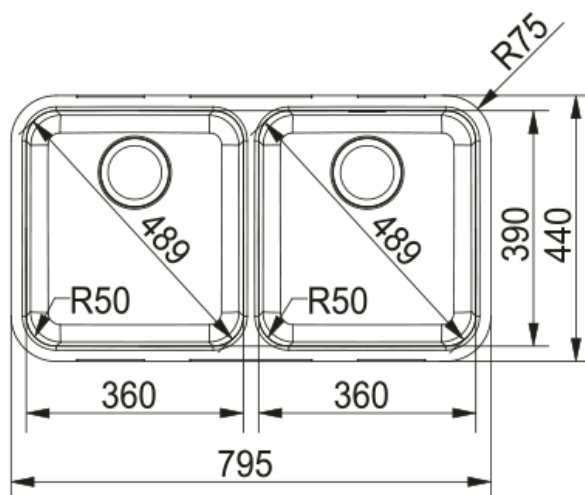


# LARGO LAX 120 36-36 | 122.0156.181



LARGO LAX 120 36-36 795x430mm, Undermount, Silk Stainless Steel, 3½" Semi-Integrated Wastes with Hygienic Overflow. 50 Year Guarantee on all Franke sinks.

## Product Information

|                  |                         |
|------------------|-------------------------|
| Sink type        | Bowl (no drainer)       |
| Type of material | Stainless steel         |
| Number of bowls  | 2                       |
| Colour           | Steel                   |
| Finish           | Stainless steel brushed |

## Dimensions

|                              |       |
|------------------------------|-------|
| External size: right to left | 795.0 |
| External size: front to back | 440.0 |
| Bowl 1 size: right to left   | 360.0 |
| Bowl 1 size: front to back   | 390.0 |
| Bowl 1: depth                | 175.0 |
| Bowl 2 size: right to left   | 360.0 |
| Bowl 2 size: front to back   | 390.0 |
| Bowl 2: depth                | 175.0 |

## Installation

|                      |       |
|----------------------|-------|
| Minimum cabinet size | 90 cm |
|----------------------|-------|

## Product specifications

|                     |            |
|---------------------|------------|
| Installation type   | Undermount |
| Waste outlet        | 3 1/2"     |
| Position of drainer | No drainer |

## Product Identification

|                |        |
|----------------|--------|
| Product brand  | FRANKE |
| Product family | Smart  |
| Model range    | Largo  |
| Approval logo  | CE     |
| Approval logo  | UKCA   |

## Properties

|                       |             |
|-----------------------|-------------|
| Drainers number       | No drainer  |
| Product reversibility | No          |
| Tap ledge             | No          |
| Waste kit include     | Yes         |
| Waste kit type        | Manual      |
| Siphon included       | No          |
| Number of tap holes   | No tap hole |
| Soap dispenser hole   | No          |