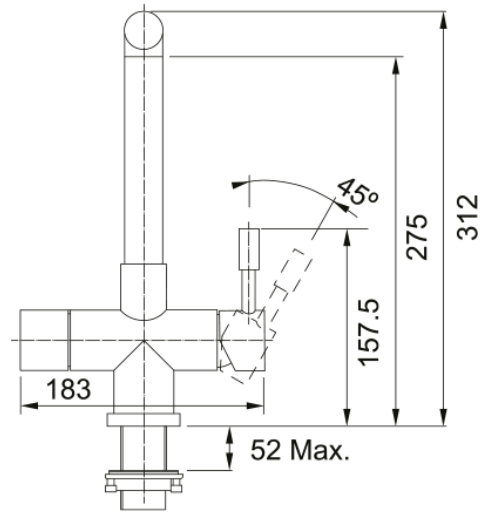


Tap Mondial L Spout Swivel Copper HP To | 119.0599.920



Tap Mondial L Spout Swivel Copper HP Touch

Product Information

Spout version	L - spout
Colour	Copper
Type of material	Stainless steel 304

Dimensions

Tap hole diameter	35 mm
Cartridge dimension	35 mm

Installation

Fixation type	Shank
Water supply hose connection	3/8"
Water supply hose length	700 mm

Product specifications

Pressure	High pressure
Version	Swivel spout
Tap operation	Side lever
Tap rotation	360°

Product Identification

Product brand	FRANKE
Product family	None
Model range	Mondial

Properties

Electronic	Push button
Eco water saving	No
Type of aerator	Cache