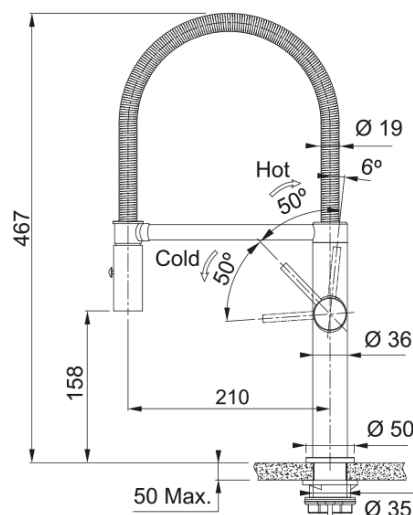


Pescara Semi Pro Stainless Steel | 115.0741.700



Pescara Semi Pro Stainless Steel, Overall height 467mm, Pull Out Spray, Side Lever, Ceramic mechanism. Suitable for high pressure systems.

Product Information

Spout version	S - semi-professional
Colour	Stainless steel
Type of material	Stainless steel 304
Flexible pullout hose material	Nylon black
Shower material	Stainless steel

Dimensions

Height Overall	467.0
Tap hole diameter	35 mm
Cartridge dimension	25 mm

Installation

Fixation type	Shank
Water supply hose connection	3/8"
Water supply hose length	450 mm

Product specifications

Pressure	High pressure
Version	Spray
Tap operation	Side lever
Tap rotation	360°
Mixed water flowrate @3bars	8.1

Product Identification

Product brand	FRANKE
Product family	Mythos
Model range	Pescara

Properties

Eco water saving	No
Type of aerator	Laminar