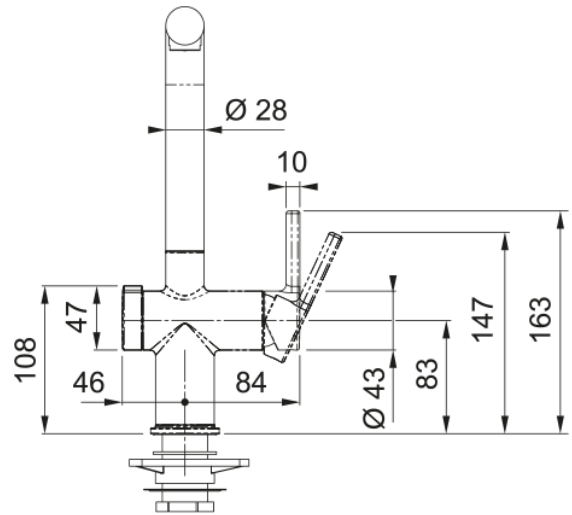


Active Twist L Pull Out Decor Steel KNG | 115.0674.156



Active Twist L Spout Dual Spray Pull-Out Decor Steel Tap with KNG Waste Kit, Overall height 312mm, Side Lever, Eco Cartridge, Laminar Aerator, Innovative Integrated Twist Waste Control. Innovative swivel spout model with integrated twist waste control – an all-in-one design which includes a dial which when turned operates the waste outlet. Features water saving Eco cartridge with 100° handle movement. Pack comprises tap plus waste kit to suit Kubus KNG Fraganite sinks, except KNG 110 62 model (due to existing pop-up hole in sink).

Product Information

Spout version	L - spout
Colour	Decor steel
Type of material	Brass
Flexible pullout hose material	Nylon black
Shower material	Brass

Dimensions

Height Overall	312.0
Tap hole diameter	35 mm
Cartridge dimension	35 mm

Installation

Fixation type	Shank
Water supply hose connection	3/8"
Water supply hose length	450 mm

Product specifications

Pressure	High pressure
Version	Spray
Tap operation	Side lever
Tap rotation	180°

Product Identification

Product brand	FRANKE
Product family	None
Model range	Active Twist

Properties

Eco water saving	Yes
Type of aerator	Laminar