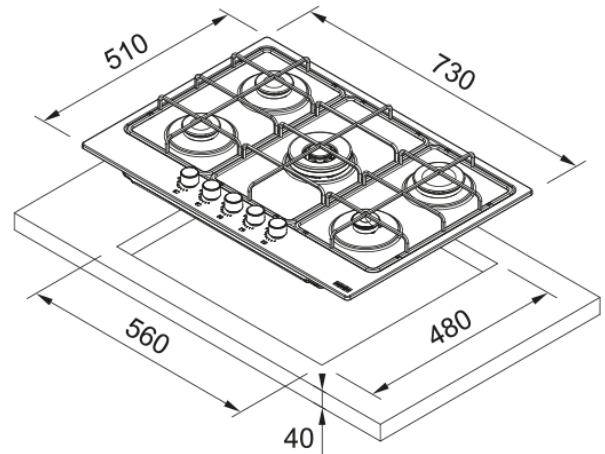
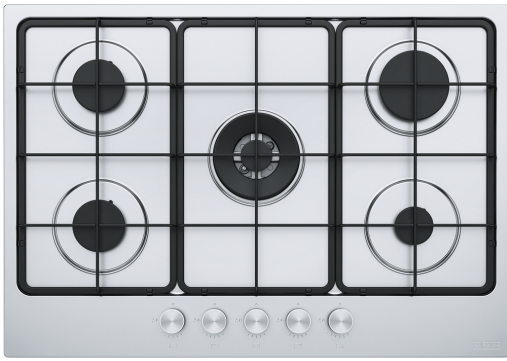


Smart FHSM 755 4G DC XS E | 106.0554.316



Smart Gas 75 Hob FHSM 755 4G DC XS E, Stainless Steel, 73cm wide. Features includes: a safety valve, Enamelled pan supports, Incorporated electronic ignition and 5 Burners.

Product Information

Type	Gas
Technology	Gas on metal
Colour	Inox
Finish	Stainless steel
Type of pan support	Double burner
Power limitation	n/a

Dimensions

Commercial dimension	75x50
Width overall	730.0
Cutout Depth	480.0
Cutout width	550.0
Packaging Depth	590.0
Packaging Width	840.0

Energy specifications

Total power (kW)	10.8
Voltage	220-240 V
Frequency (Hz)	50-60

Product specifications

Installation type hob	Standard
Number of burners	5
Power of burner front left (W)	1750
Power of burner front right(W)	1000
Power of burner middle middle	3300
Power of burner rear left (W)	1750
Power of burner rear right (W)	3000
Colour of knobs	Stainless steel
Hob/hood connection	no

Pan support material	enamelled
Supply cord	Yes
Wok grid adaptor	no
Product Identification	
Product brand	FRANKE
Product family	Smart
Model range	SMART
Properties	
UI type	Knobs
Number of knobs	5.0
Number of pan support	3
Type of burner front left	Semi rapid
Type of burner rear left	Semi rapid
Type of burner rear right	Rapid
Type of burner front right	Auxiliary
Type of burner middle middle	Double crown
User interface	Knobs
Timer	No