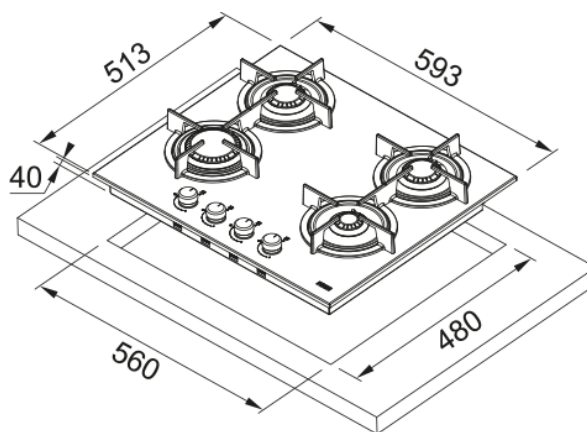


# Mythos FHCR 604 4G HE XA C | 106.0496.075



Mythos Gas on Metal FHCR 604 4G HE XA C, Stainless Steel, 60cm wide. Features includes: a safety valve, Cast iron pan supports, Incorporated electronic ignition and 4 Burner/Heating Zones.

## Product Information

|                     |                 |
|---------------------|-----------------|
| Type                | Gas             |
| Technology          | Gas on metal    |
| Colour              | Inox            |
| Finish              | Stainless steel |
| Type of pan support | Double burner   |
| Power limitation    | n/a             |

## Dimensions

|                      |       |
|----------------------|-------|
| Commercial dimension | 60X50 |
| Width overall        | 593.0 |
| Cutout Depth         | 480.0 |
| Cutout width         | 560.0 |
| Packaging Depth      | 600.0 |
| Packaging Width      | 690.0 |

## Energy specifications

|                  |           |
|------------------|-----------|
| Total power (kW) | 7.5       |
| Voltage          | 220-240 V |
| Frequency (Hz)   | 50-60     |

## Product specifications

|                                |           |
|--------------------------------|-----------|
| Installation type hob          | Standard  |
| Number of burners              | 4         |
| Power of burner front left (W) | 3000      |
| Power of burner front right(W) | 1000      |
| Power of burner rear left (W)  | 1750      |
| Power of burner rear right (W) | 1750      |
| Colour of knobs                | #N/A      |
| Hob/hood connection            | no        |
| Pan support material           | cast iron |

|                               |            |
|-------------------------------|------------|
| Supply cord                   | Yes        |
| Wok grid adaptor              | no         |
| <b>Product Identification</b> |            |
| Product brand                 | FRANKE     |
| Product family                | Mythos     |
| Model range                   | MYTHOS     |
| <b>Properties</b>             |            |
| UI type                       | Knobs      |
| Number of knobs               | 4.0        |
| Number of pan support         | 2          |
| Type of burner front left     | Rapid      |
| Type of burner rear left      | Semi rapid |
| Type of burner rear right     | Semi rapid |
| Type of burner front right    | Auxiliary  |
| User interface                | Knobs      |
| Timer                         | No         |