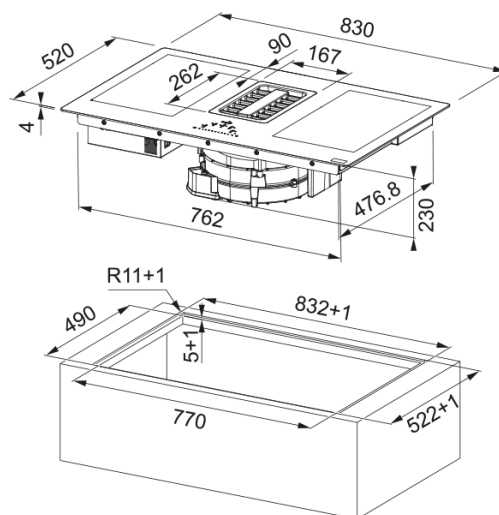


# MARIS2GETHER FMA 839 HI | 340.0595.364



Maris 2gether FMA 839 HI, black glass with cast iron grid, 830mm wide. This completely integrated hob extractor is the ideal choice for any modern minimalistic kitchen. The hob extracts vapours using a constant flow of air pressure, discreetly reducing unwanted odours and condensation within any kitchen. The Maris 2gether sits flush with the worktop, making it easy to slide your pans across each zone. The compact motor design saves space in the cabinet, and is fully waterproof, offering complete safety. 4 induction zones. 2 flexi zones for big pans. Direct touch control with one slider. 9 levels + booster function. Timer for all zones. Grease efficiency class B. Dishwasher-proof grease filter. Easy cleaning right after cooking NB The Maris 2gether requires a separate Aspiration Kit (for ducting out) or Recirculation Kit (if fitting in recirculatory mode),

## Egenskaber

Farve	Black
Overfladefinish	Glas
Power limitation	Ja

## Dimensioner

Kommerciel dimension	83X52
----------------------	-------

## Energispecifikation

Total power	7.4
Voltage&frequency	220-240V 50-60Hz

## Installation

Filter typologi	Hobextractor
-----------------	--------------

## Produkt specifikation

Bro	Nej
Sikkerhedslås	Ja
Energy efficiency class	A++
Holde varm	Nej
Smeltning	Ja
Grill	Nej
Blower tech.name	340006
Spoledimensioner pos.1 (cm)	LxB 19x21
Spoledimension pos.2 (cm)	LxB 19x21
Spoledimension pos.3 (cm)	LxB 19x21
Spoledimension pos.4 (cm)	LxB 19x21
Børnesikring	Ja

Tilbagekaldelse	Nej
Opvarmning	Ja
Tørrefunktion	Nej
Automatisk funktion	Ja
Auto Flap	Ja
Flexi	Ja
Antal broer	0
Antal flexi	2
Fedtfilteralarm	Ja
Induktionskraftniveau	9+BOOST
Control	Berøringsbetjening Skyder

### Produktidentifikation

Varemærke	FRANKE
Produktfamilie	Maris
Model	MARIS

### Produktegenskaber

Styring	Smart KII touch slider
Cifferfarve	Red
Cooking zone	4
Vandtæt	Ja
Timer	Ja
Booster	4
Stop&go	Ja
Farvedisplay	N/A
Grease filtering efficiency Cl	B
Filtertype	Aluminium
Kulfilter	Nej

### Præstationsværdier

Speed	1	2	3	8	Boost 1	Boost
Kapacitet (m³h)	245.0	285.0	350.0	505.0	550.0	700.0
Tryk. max	290.0	370.0	525.0	550.0	555.0	560.0
Motoreffekt (W)	35.0	45.0	60.0	125.0	140.0	220.0
Lydniveau (db)	51.0	55.0	57.0	65.0	66.0	72.0