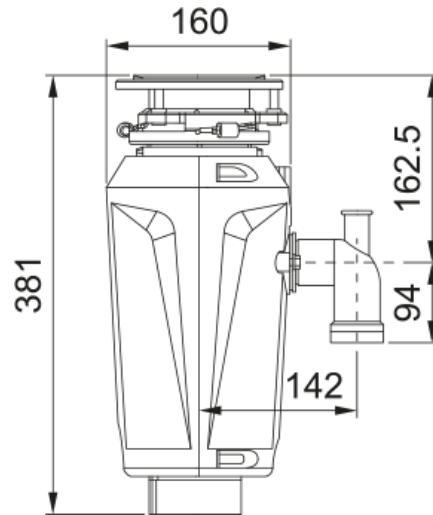


## Food waste disposer Slim 75 CN | 134.0721.208



Food waste disposer Slim 75, motor 0.75 HP, 2700 rpm, continuous feed, insulated shell, vibrant red, matt finish, integrated airswitch connection, REMOTE CONTROL included, cord included, 220V for Asia

### Product Information

Product type Food waste disposer

### Energy specifications

Voltage 220-240 V

### Product identification

Product brand FRANKE

Product family Mythos

Model range Elite Slimline

### Properties

Horse power waste disposer 3/4 HP

Motor speed 2700.0

Waste disposer motor type Permanent magnet

Feed type Continuous