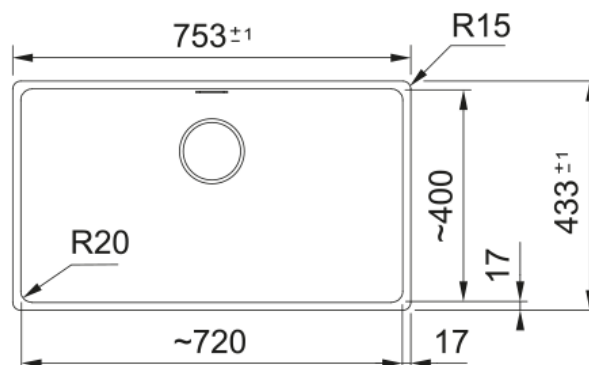


# MRG 110-72 3 1/2" WWK ND HOF Stone grey | 125.0697.723



MRG 110-72 3 1/2" WWK ND HOF Stone Grey

## Product Information

Sink type	Bowl (no drainer)
Type of material	Granite
Number of bowls	1
Color	Stone grey
Finish	None

## Dimensions

External size: right to left	753.0
External size: front to back	433.0
Bowl 1 size: right to left	720.0
Bowl 1 size: front to back	400.0
Bowl 1: depth	200.0

## Installation

Minimum cabinet size	80 cm
----------------------	-------

## Product specifications

Installation type	Undermount
Waste outlet	3 1/2"
Position of drainer	No drainer
Bowl 1: accessory ledge	no
Active Twist Compatibility	Yes
Installation device	Clamp Bag

## Product identification

Product brand	FRANKE
Product family	Maris
Model range	Maris
Approval logo	CE
Approval logo	UKCA

## Properties

MRG 110-72 3 1/2" WWK ND HOF Stone grey | 2026-05-18



Drainers number	No drainer
Product reversibility	no
Tap ledge	No
Waste kit included	yes
Waste kit type	manual
Siphon included	yes
Number of tap holes	None
Soap dispenser hole	no