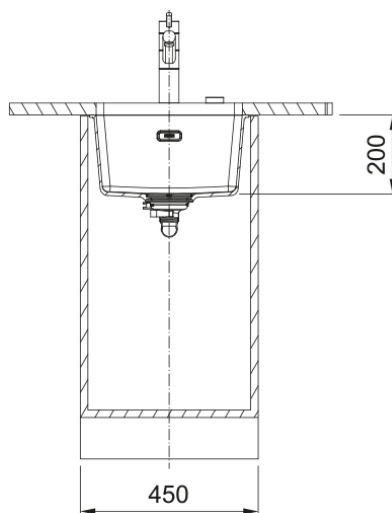


MRG 110-37 3 1/2" WWK ND HOF Stone grey | 125.0697.705



MRG 110-37 3 1/2" WWK ND HOF Stone Grey

Product Information

Sink type	Bowl (no drainer)
Type of material	Granite
Number of bowls	1
Color	Stone grey
Finish	None

Dimensions

External size: right to left	403.0
External size: front to back	433.0
Bowl 1 size: right to left	370.0
Bowl 1 size: front to back	400.0
Bowl 1: depth	200.0

Installation

Minimum cabinet size	45 cm
----------------------	-------

Product specifications

Installation type	Undermount
Waste outlet	3 1/2"
Position of drainer	No drainer
Bowl 1: accessory ledge	no
Active Twist Compatibility	Yes
Installation device	Clamp Bag

Product identification

Product brand	FRANKE
Product family	Maris
Model range	Maris
Approval logo	CE
Approval logo	UKCA

Properties

MRG 110-37 3 1/2" WWK ND HOF Stone grey | 2026-06-30



Drainers number	No drainer
Product reversibility	No
Tap ledge	No
Waste kit included	yes
Waste kit type	manual
Siphon included	yes
Number of tap holes	None
Soap dispenser hole	no