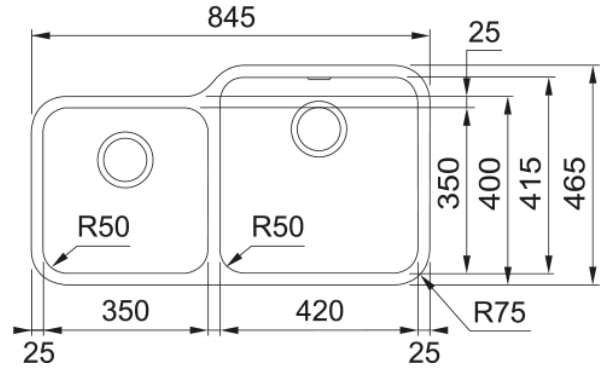


Bell BCX 120-42 | 122.0648.062



304R50

	2
	X
	860.0
	480.0
1	420.0
1	415.0
1	210.0
2	350.0
2	350.0
2	190.0
	90 cm
	3 1/2"
1:	
2:	
	FRANKE
	Smart
	Bell
LOGO	CE



.....

.....

.....

.....

.....

.....

.....

.....

.....

.....