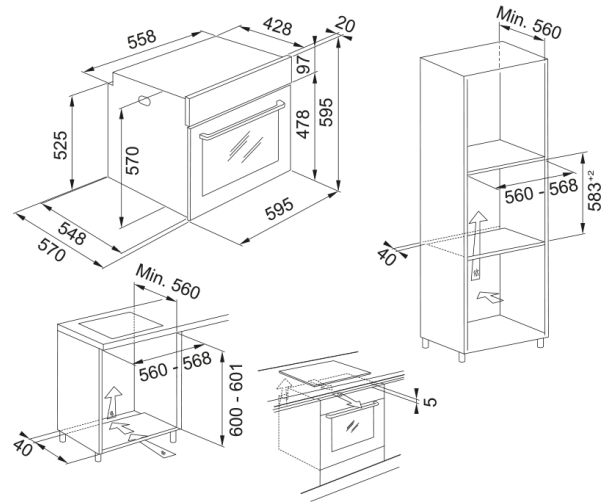


**FSM 86 H XS CCC | 116.0658.669**



71L 5 LED 200ml 2 8

595.0

570.0

595.0

2750.0

220-240 V

50-60

A

N/A

2.0

650.0

670.0

640.0

1000.0

FRANKE

Smart

Smart

(L)

71.0

UI

2.0