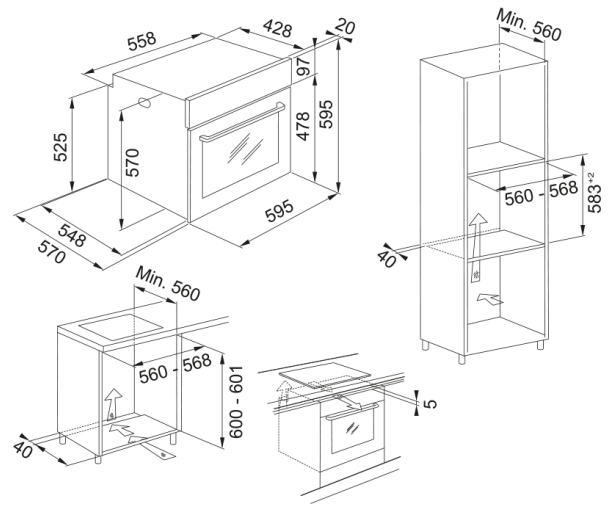


Oven el. FSM 86 H XS CCC | 116.0658.669



Oven el. FSM 86 H XS CCC

Product Information

Oven type	Electric
Type	Built-in
Color	Inox

Dimensions

Width: front to back	595.0
Depth Overall	570.0
Height overall	595.0

Energy specifications

Rated power	2750.0
Voltage	220-240 V
Frequency (Hz)	50-60

Product specifications

Cleaning	Steam cleaning
Steam	No
Energy efficiency class	A
Turnspit	No
Auto functions	N/A
Color of knobs	stainless steel
Door frame	bottom stripe
Number of door glasses	2.0
Color of handle	stainless steel
Manual functions	Bottom heating
Manual functions	Bread
Manual functions	Convection Bake
Manual functions	Conventional
Manual functions	Defrost
Manual functions	Forced Air

Manual functions	Grill
Manual functions	Steam Cleaning
Manual functions	Turbo Grill
Packaging Depth	650.0
Packaging Height	670.0
Packaging Width	640.0
Panel frame	2 stripes
Power cord length	1000.0
Type of knobs	protruding
Display	yes
Door glass type	float
Panel material	GLASS
Touch display	yes
Product identification	
Product brand	FRANKE
Product family	Smart
Model range	Smart
Properties	
Volume liter	71.0
Technical UI Type	Electromechanic
Display color	White
Number of knobs	2.0
Timer	Programmable
Type of time control	Electronic
Type of door hinges	Soft closing
Telescopic shelves	Optional
Cool door	no