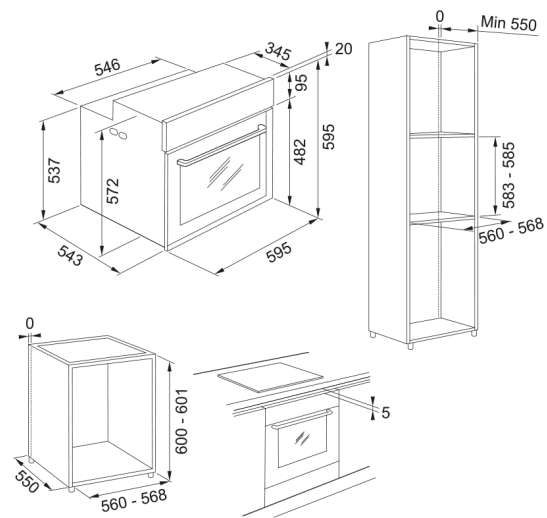


# Oven el. FMY 99 P XS CCC | 116.0658.667



Oven el. FMY 99 P XS CCC

## Product Information

Oven type	Electric
Type	Built-in
Color	Inox

## Dimensions

Width: front to back	595.0
Depth Overall	564.0
Height overall	595.0

## Energy specifications

Rated power	3340.0
Voltage	220 V
Frequency (Hz)	50

## Product specifications

Cleaning	Pyrolytic
Steam	No
Energy efficiency class	A+
Turnspit	No
Cookassist	Grilled Shrimps
Cookassist	Beef Hamburger
Cookassist	Gratin Peppers
Cookassist	Croissants
Cookassist	Strudel
Cookassist	Gratin Cauliflowers
Cookassist	Pizza frozen
Cookassist	RoastBeef
Cookassist	Sausages & Wurstel
Cookassist	Frozen Lasagna
Cookassist	Frozen Fish fillets

Oven el. FMY 99 P XS CCC | 2026-05-06



Cookassist	Big bread
Cookassist	Gratin Tomatoes
Cookassist	Grilled Gratin Mussels
Cookassist	Tart in tin
Cookassist	Gratin Potatoes
Cookassist	Sandwich loaf in tin
Cookassist	Chicken Fillet - Breast
Cookassist	Sponge cake in tin
Cookassist	Salty Cakes
Cookassist	Roast Ribs
Cookassist	Fresh Lasagna
Cookassist	Grillowane krewetki królewskie
Cookassist	Pizza thin
Cookassist	Roasted Other vegetables
Cookassist	Baguettes
Cookassist	Roasted Stuffed vegetables
Cookassist	Fresh Fish fillets
Cookassist	Roast Pork
Cookassist	Pizza thick
Cookassist	Choux pastry
Cookassist	Roasted Potatoes
Cookassist	Gratin Other vegetables
Cookassist	Kebab
Cookassist	Rolls
Cookassist	Cookies
Cookassist	Roast Chicken
Cookassist	Grilled Scallops
Door frame	slim bottom stripe
Number of door glasses	4.0
Color of handle	stainless steel
Manual functions	Keep warm
Manual functions	Grill
Manual functions	Frozen Cook
Manual functions	Defrost
Manual functions	Fast Preheating
Manual functions	Rising
Manual functions	Maxi Cooking
Manual functions	Forced Air
Manual functions	Multicooking
Manual functions	Convection Bake
Manual functions	Conventional
Manual functions	Pyrolytic cleaning
Manual functions	Eco Forced Air
Manual functions	Convenience
Manual functions	Turbo Grill
Packaging Depth	650.0
Packaging Height	690.0

Packaging Width	630.0
Panel frame	1 stripe
Power cord length	900.0
Display	yes
Door glass type	dark grey (fumè)
Panel material	GLASS
Touch display	yes
<b>Product identification</b>	
Product brand	FRANKE
Product family	Mythos
Model range	Mythos
<b>Properties</b>	
Volume liter	73.0
Technical UI Type	Electronic
Display color	Multicolor
Timer	Programmable
Type of time control	Electronic
Type of door hinges	Soft closing
Telescopic shelves	1 level partial
Cool door	yes