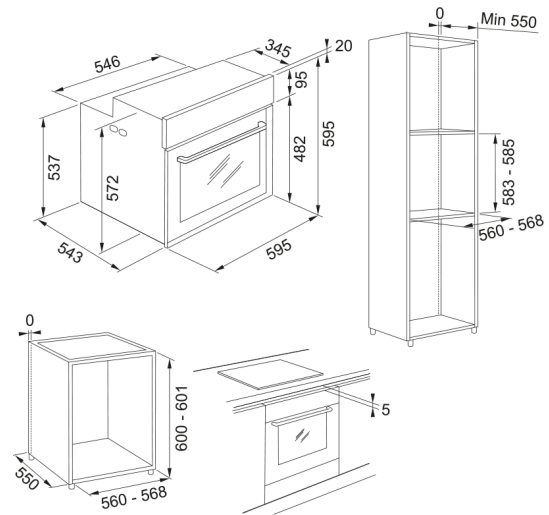


Oven el. FMY 99 HS XS CCC | 116.0658.666



Oven el. FMY 99 HS XS CCC

Product Information

Oven type	Electric
Type	Built-in
Color	Inox

Dimensions

Width: front to back	595.0
Depth Overall	564.0
Height overall	595.0

Energy specifications

Rated power	3340.0
Voltage	220 V
Frequency (Hz)	50

Product specifications

Cleaning	Steam cleaning
Steam	full steam
Energy efficiency class	A+
Turnspit	No
Cookassist	Roasted Other vegetables
Cookassist	Sausages & Wurstel
Cookassist	Cookies
Cookassist	Salty Cakes
Cookassist	Steamed Potatoes small
Cookassist	Steamed fruits Whole
Cookassist	Beef Hamburger
Cookassist	Gratin Tomatoes
Cookassist	Gratin Cauliflowers
Cookassist	Kebab
Cookassist	Wholegrain rice

Oven el. FMY 99 HS XS CCC | 2026-04-16



Cookassist	Fresh Lasagna
Cookassist	Fruit filled pie
Cookassist	Brown rice
Cookassist	Gratin Potatoes
Cookassist	Steamed Turkey fillets
Cookassist	Frozen Fish fillets
Cookassist	Fresh Fish fillets
Cookassist	Frozen Lasagna
Cookassist	Grilled Scallops
Cookassist	Steamed Cauliflowers
Cookassist	Steamed Shrimps
Cookassist	Chicken Fillet - Breast
Cookassist	White rice
Cookassist	Pizza thick
Cookassist	Big bread
Cookassist	Roasted Stuffed vegetables
Cookassist	Spelt
Cookassist	Tart in tin
Cookassist	Rolls
Cookassist	Millet
Cookassist	Steamed Potatoes
Cookassist	Sandwich loaf in tin
Cookassist	Gratin Peppers
Cookassist	Steamed Octopus
Cookassist	Steamed Gratin scallops
Cookassist	Baguettes
Cookassist	Roast Chicken
Cookassist	Steamed Fish fillets
Cookassist	Gratin Other vegetables
Cookassist	Grillowane krewetki królewskie
Cookassist	Steamed Peas
Cookassist	Roast Beef
Cookassist	Steamed frozen Peas
Cookassist	Steamed Prawns
Cookassist	Gratin Broccoli
Cookassist	Steamed Mussels
Cookassist	Pizza frozen
Cookassist	Pizza thin
Cookassist	Quinoa
Cookassist	Choux pastry
Cookassist	Roast Ribs
Cookassist	Grilled Shrimps
Cookassist	Steamed Frozen fillets
Cookassist	Steamed Chicken fillets
Cookassist	Strudel
Cookassist	Steamed Squid
Cookassist	Barley

Cookassist	Steamed Broccoli
Cookassist	Roasted Potatoes
Cookassist	Roast Pork
Cookassist	Croissants
Cookassist	Sponge cake in tin
Cookassist	Grilled Gratin Mussels
Door frame	slim bottom stripe
Number of door glasses	3.0
Color of handle	stainless steel
Manual functions	Multicooking
Manual functions	Grill
Manual functions	Frozen Cook
Manual functions	Pure Steam
Manual functions	Defrost
Manual functions	Eco Forced Air
Manual functions	Fast Preheating
Manual functions	Steam Cleaning
Manual functions	Convection Bake
Manual functions	Turbo Grill
Manual functions	Forced Air + Steam
Manual functions	Forced Air
Manual functions	Convenience
Manual functions	Keep warm
Manual functions	Conventional
Manual functions	Maxi Cooking
Packaging Depth	650.0
Packaging Height	690.0
Packaging Width	630.0
Panel frame	1 stripe
Power cord length	900.0
Volume of water tank (l)	1.5
Display	yes
Door glass type	dark grey (fumè)
Panel material	GLASS
Touch display	yes
Product identification	
Product brand	FRANKE
Product family	Mythos
Model range	Mythos
Properties	
Volume liter	73.0
Technical UI Type	Electronic
Display color	Multicolor
Timer	Programmable
Type of time control	Electronic
Type of door hinges	Soft closing
Telescopic shelves	1 level partial

Cool door

no