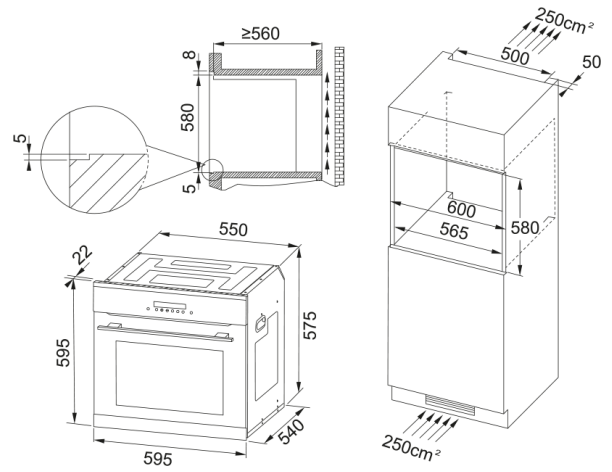


**FBO6200BXP | 116.0647.854**



60L 5 LED 10 3LED 3LOW-E

595.0

550.0

2400.0

220 V

50

A+

665.0

695.0

FRANKE

(L)

60.0

UI

.....

.....