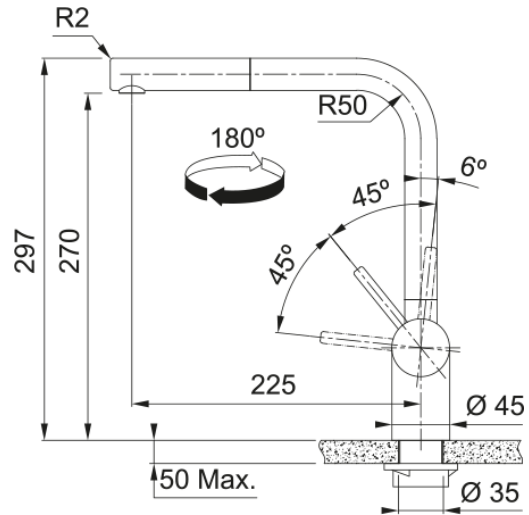


Tap Atlas Neo Nozzle Side HP AN CN | 115.0667.608



Tap, Atlas Nozzle, side lever, high pressure, Anthracite, Chinese label

Product Information

Spout version	L - spout
Color	Anthracite
Type of material	Stainless steel 304
Flexible pullout hose material	Nylon grey
Shower material	stainless steel

Dimensions

Height overall	297.0
Tap hole diameter	35 mm
Cartridge dimension	35 mm

Installation

Fixation type	shank
Water supply hose connection	1/2"
Water supply hose length	450 mm

Product specifications

Pressure	High Pressure
Version	Pull out
Tap operation	side lever
Tap rotation	180°

Product identification

Product brand	FRANKE
Product family	Maris
Model range	Atlas Neo

Properties

Eco water saving	no
Type of aerator	Laminar