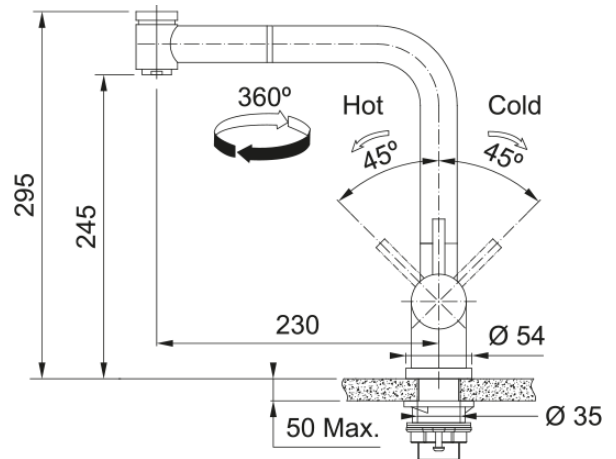


Tap Atlas Spray side HP ON China | 115.0663.933



Tap, Atlas Spray, side lever, High Pressure, Onyx Color, Stainless Steel, China market

Product Information

Spout version	L - spout
Color	Onyx
Type of material	Stainless steel 304
Flexible pullout hose material	Nylon grey
Shower material	stainless steel

Dimensions

Tap hole diameter	35 mm
Cartridge dimension	35 mm
Height overall	540.0

Installation

Fixation type	shank
Water supply hose connection	1/2"
Water supply hose length	450 mm

Product specifications

Pressure	High Pressure
Version	Spray
Tap operation	side lever
Tap rotation	360°

Product identification

Product brand	FRANKE
Product family	Maris
Model range	Atlas

Properties

Eco water saving	no
Type of aerator	Honeycomb