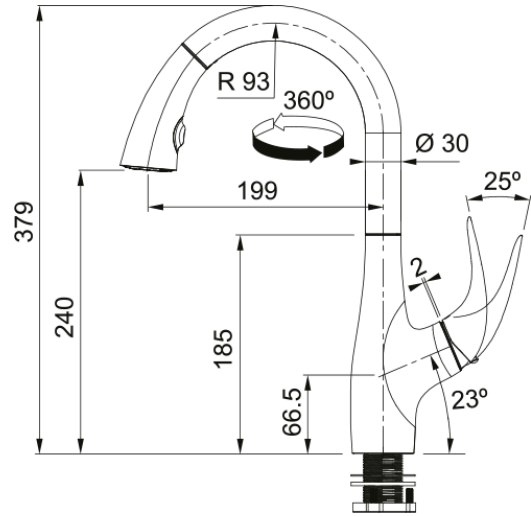


Bell Neo CT994C, | 115.0564.122



J

35 mm

25 mm

379.0

1/2"

400 mm

360°

FRANKE

Smart

Bell Neo