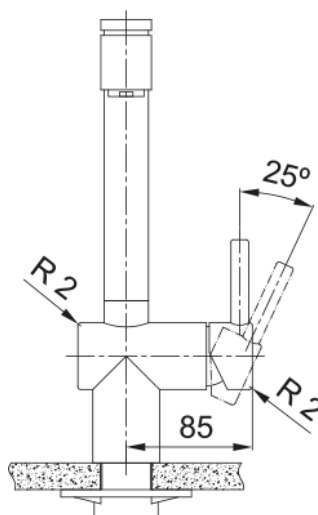


# Atlas Neo CT1310G, | 115.0560.513



30420%

L

304

299.0

35 mm

35 mm

3/8"

450 mm

180°

FRANKE

Maris

Atlas Neo