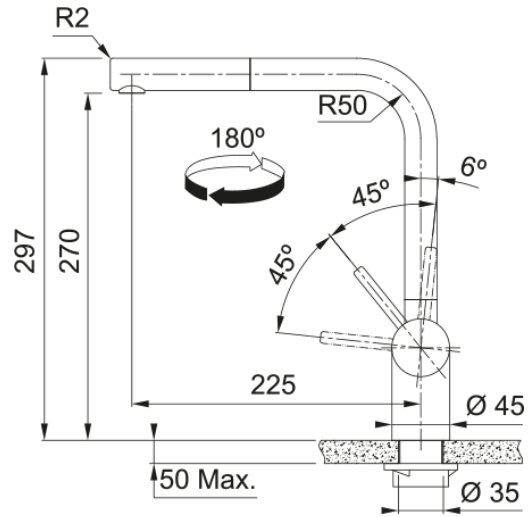


Atlas Neo CT1310S, | 115.0560.512



30420%

	L
	304
	297.0
	35 mm
	35 mm
	3/8"
	450 mm
	180°
	FRANKE
	Maris
	Atlas Neo