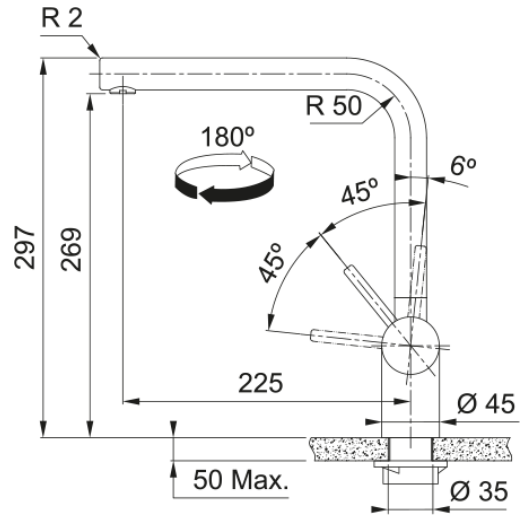


Atlas Neo CT1012S, | 115.0560.511



304

L

304

297.0

35 mm

35 mm

3/8"

450 mm

180°

FRANKE

Maris

Atlas Neo