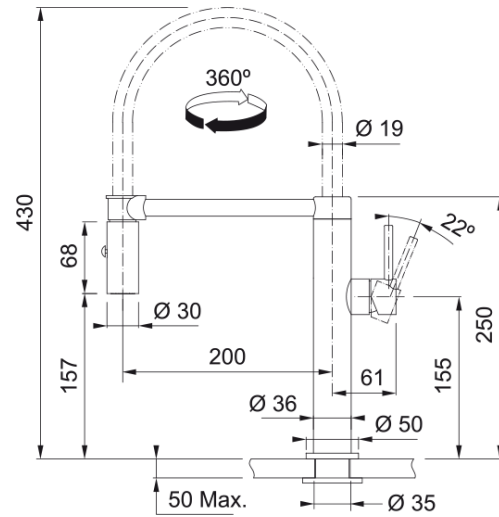


Tap Pescara L semi-pro side HP SS Asia | 115.0480.041



Tap Pescara L, semi-professional, side lever, high pressure, stainless steelAsia

Product Information

Spout version	S - semi-professional
Color	Stainless Steel
Type of material	Stainless steel 304
Flexible pullout hose material	metal
Shower material	stainless steel

Dimensions

Height overall	430.0
Tap hole diameter	35 mm
Cartridge dimension	28 mm

Installation

Fixation type	shank
Water supply hose connection	3/8"
Water supply hose length	450 mm

Product specifications

Pressure	High Pressure
Version	Spray
Tap operation	side lever
Tap rotation	360°

Product identification

Product brand	FRANKE
Product family	Mythos
Model range	Pescara

Properties

Eco water saving	yes
Type of aerator	Honeycomb