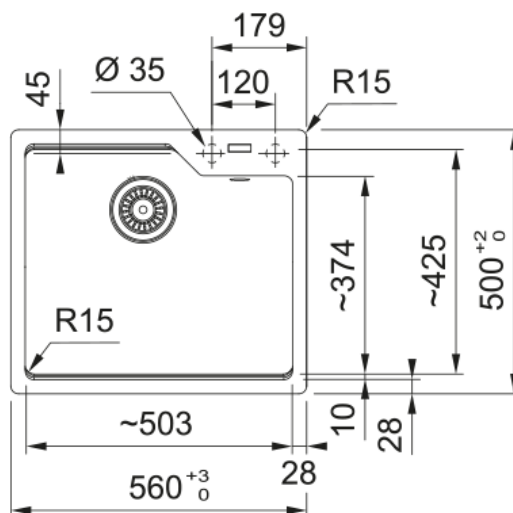


# UBG 610-50 3 1/2" WWK ND WRO GSC OA | 114.0695.198



UBG 610-56 WWK ND WRO Oatmeal W Dra B BOX with new clip

## Product Information

|                  |                   |
|------------------|-------------------|
| Sink type        | Bowl (no drainer) |
| Type of material | Granite           |
| Number of bowls  | 1                 |
| Color            | Oatmeal           |
| Finish           | None              |

## Dimensions

|                              |       |
|------------------------------|-------|
| External size: right to left | 560.0 |
| External size: front to back | 500.0 |
| Bowl 1 size: right to left   | 503.0 |
| Bowl 1 size: front to back   | 425.0 |
| Bowl 1: depth                | 230.0 |
| Cutout inset: right to left  | 540.0 |
| Cutout inset: front to back  | 480.0 |

## Installation

|                      |       |
|----------------------|-------|
| Minimum cabinet size | 60 cm |
|----------------------|-------|

## Product specifications

|                            |            |
|----------------------------|------------|
| Installation type          | Inset      |
| Waste outlet               | 3 1/2"     |
| Position of drainer        | No drainer |
| Active Twist Compatibility | Yes        |
| Installation device        | Clamp Bag  |

## Product identification

|                |        |
|----------------|--------|
| Product brand  | FRANKE |
| Product family | Maris  |
| Model range    | Urban  |
| Approval logo  | CE     |
| Approval logo  | UKCA   |

## Properties

|                       |                 |
|-----------------------|-----------------|
| Drainers number       | No drainer      |
| Product reversibility | no              |
| Tap ledge             | Yes             |
| Waste kit included    | yes             |
| Waste kit type        | manual          |
| Siphon included       | yes             |
| Number of tap holes   | 2 - pre drilled |
| Soap dispenser hole   | no              |