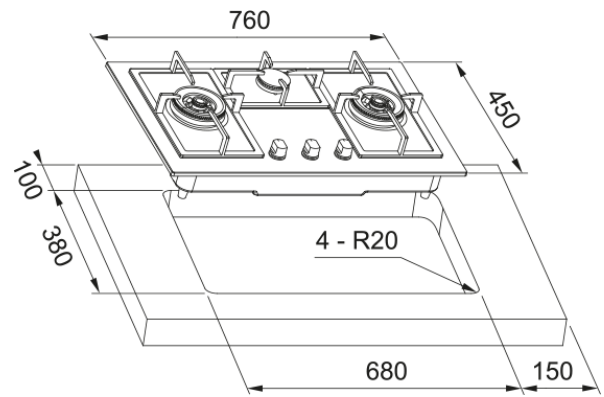


Hob Gas FS7326 3 burners LPG China | 106.0583.438



Hob Gas FS7326 3 burners LPG China

Product Information

Type	Gas
Technology	Gas on metal
Color	Stainless Steel
Finish	Stainless steel
Power limitation	no

Dimensions

Commercial dimension	76x45
Cutout Depth	830.0
Cutout width	510.0
Packaging Depth	840.0
Packaging Width	520.0

Energy specifications

Total power (kW)	10.4
Voltage	220 V
Frequency (Hz)	50-60

Product specifications

Installation type hob	Standard
Number of burners	3
Power of burner front left (W)	4500
Power of burner front right(W)	1400
Power of burner middle middle	4500
Color of knobs	stainless steel
Hob/hood connection	no

Product identification

Product brand	FRANKE
Product family	None
Model range	ONYX

Properties

Technical UI Type	Knobs
Number of knobs	3.0
Type of burner front left	Rapid
Type of burner front right	Rapid
Type of burner middle middle	Rapid
User interface	Knobs
Timer	No