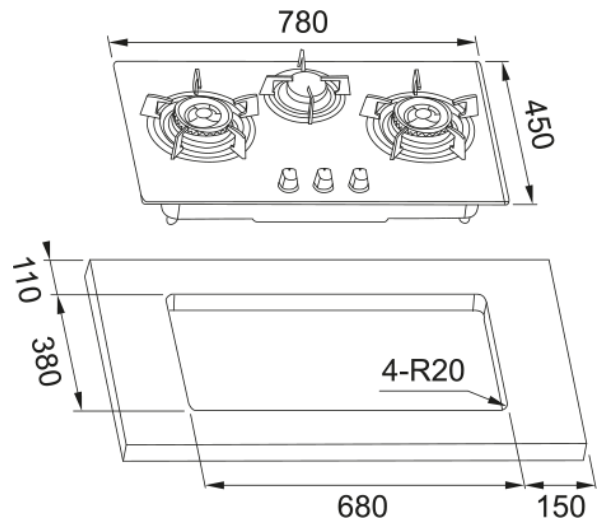


Gas hob FG8312 Black glass 3 burner NG | 106.0535.193



Gas hob FG8312 Black glass 3 burner NG

Product Information

Type	Gas
Technology	Gas on glass
Color	Black
Finish	Glass / SS
Power limitation	no

Dimensions

Commercial dimension	80X40
Width overall	430.0
Cutout Depth	680.0
Cutout width	380.0
Packaging Depth	800.0
Packaging Width	480.0

Energy specifications

Total power (kW)	10.4
Voltage	220 V
Frequency (Hz)	50

Product specifications

Installation type hob	Standard
Number of burners	3
Color of knobs	stainless steel
Hob/hood connection	no

Product identification

Product brand	FRANKE
Product family	None
Model range	ONYX

Properties

Technical UI Type	Knobs
-------------------	-------

Number of knobs	3.0
Type of burner front left	Double crown
Type of burner front right	Double crown
Type of burner middle middle	Double crown
User interface	Knobs
Timer	No