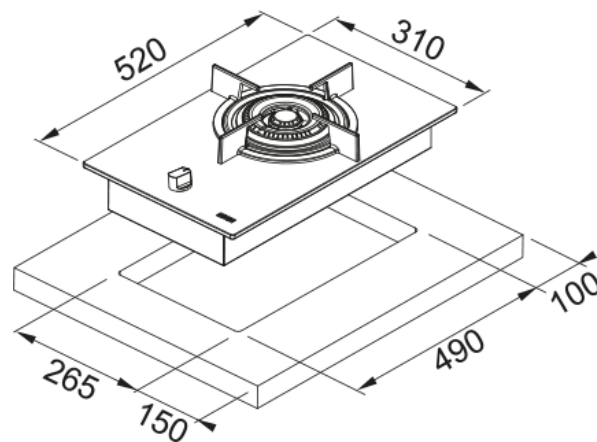


Gas hob FGH3116 Domino glass 1 burner NG | 106.0534.561



Gas hob FGH3116 Domino Black glass 1 burner NG

Product Information

Type	Gas
Technology	Gas on glass
Color	Black
Finish	Glass / SS
Power limitation	no

Dimensions

Commercial dimension	Special
Width overall	300.0
Cutout Depth	265.0
Cutout width	490.0
Packaging Depth	355.0
Packaging Width	570.0

Energy specifications

Total power (kW)	4.2
Voltage	220 V
Frequency (Hz)	50

Product specifications

Installation type hob	Standard
Number of burners	1
Color of knobs	stainless steel
Hob/hood connection	no

Product identification

Product brand	FRANKE
Product family	None
Model range	ONYX

Properties

Technical UI Type	Knobs
-------------------	-------

Number of knobs	1.0
Type of burner middle middle	Double crown
User interface	Knobs
Timer	No